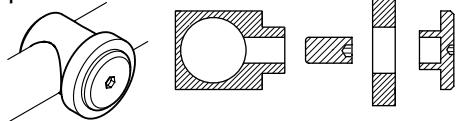


1 Set sliding door fittings **Flatec IV**

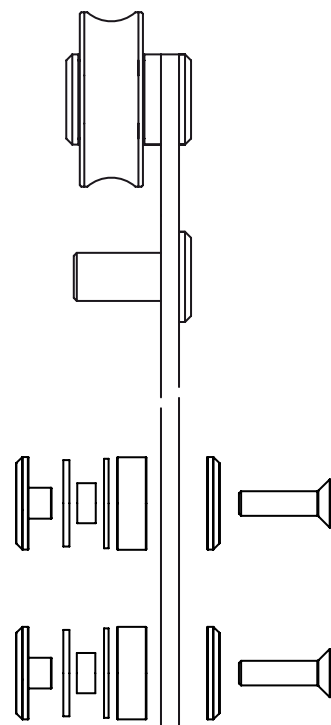
2 Guide rail



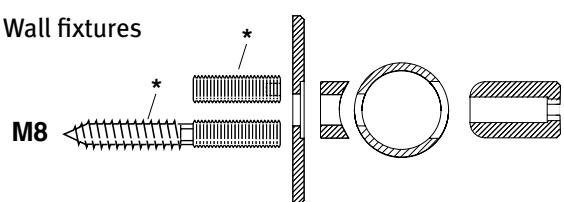
3 Door stoppers



4 Trolley complete

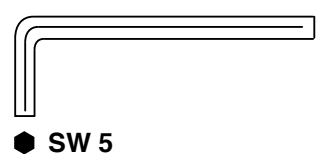


5 Wall fixtures



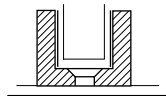
(without screws and dowels, at construction site)
* not included in scope of delivery.

6 Special tool



7 Bottom guide

(without screws and dowels, at construction site)



Comply with all general safety regulations when installing the sliding door fittings!

Installation to be completed by qualified licensed contractor.

Be sure to tighten all screw connections one week after starting to use the sliding door fittings!

Never use scouring agents to clean the sliding door fittings; rather use commercially available stainless-steel cleaners!



Attention



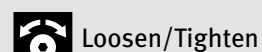
Screw on



Screw on



Screw on



Loosen/Tighten



Install



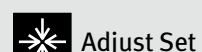
At right angle



Drill



Dowels



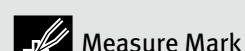
Adjust Set



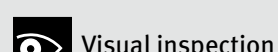
Level



Perpendicular



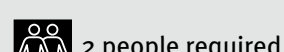
Measure Mark



Visual inspection



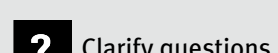
Special-tool



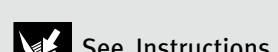
2 people required



Measure



Clarify questions



See Instructions



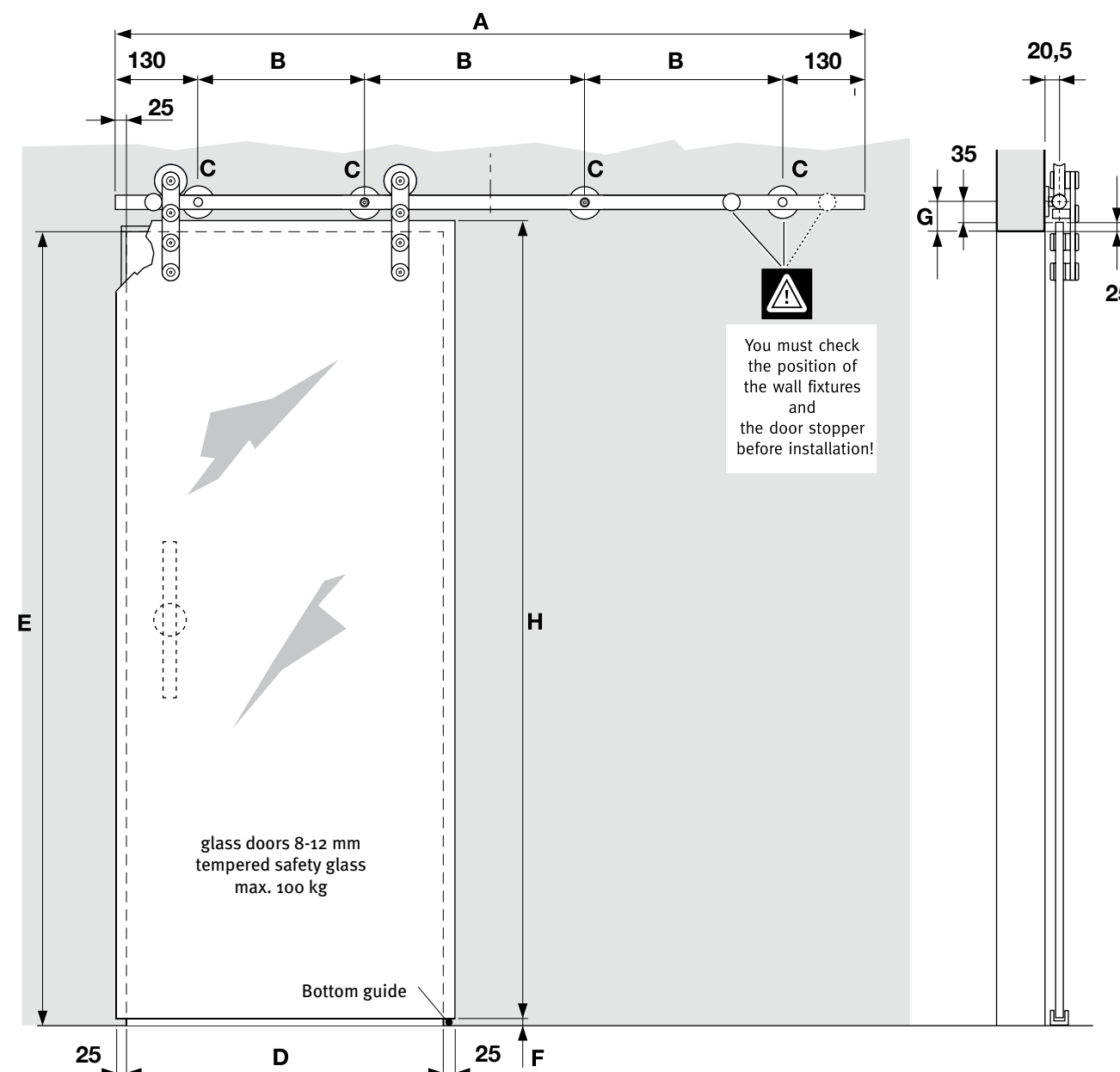
Secure

65_30_00_0162_US094_MONT_GB

Installation instructions

Sliding door fittings Flatec IV

for glass doors (8-12 mm thickness)



Set Flatec IV	Set /Each					
1 Art. No.	2	3	4	5	6	7
US094-1800EF	1	2	2	4	1	1
US094-2100EF	1	2	2	4	1	1
US094-2300EF	1	2	2	5	1	1
US094-2540EF	1	2	2	5	1	1

Also valid for polished version US094-...EP

ABP-Byerle it's subsidiaries and agents are not responsible or liable for damage or injury to any persons or property due to improper installation of it's products. All liabilities reside solely with the installer.



ABP-Beyerle GmbH

Im Schollengarten 24 b, D - 76646 Bruchsal (Germany)

Tel. + 49 - (0) 7257 / 9127 - 0, Fax + 49 - (0) 7257 / 9127 - 29, Email info@abp-beyerle.de, www.abp-beyerle.de

Complete-sets Also valid for polished version US094-...EP

Set Flatec IV Artikel-No.	A mm	B mm	C Each	D mm	E mm	F mm	G mm	H max. mm (H=E-F+25)
US094-1800EF	1800	513	4	750 - 900	2500	7 - 10	60	2518
US094-2100EF	2100	613	4	910 - 1000	2500	7 - 10	60	2518
US094-2300EF	2300	510	5	1010 - 1120	2500	7 - 10	60	2518
US094-2540EF	2540	570	5	1130 - 1250	2500	7 - 10	60	2518

Right to make technical changes reserved - Dimensions in (mm) - Version 03.2016
© by ABP-Beyerle GmbH



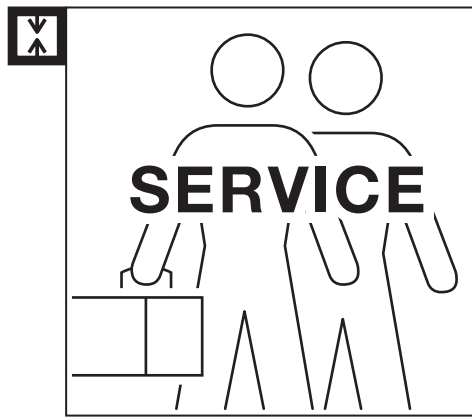


Fig. 1

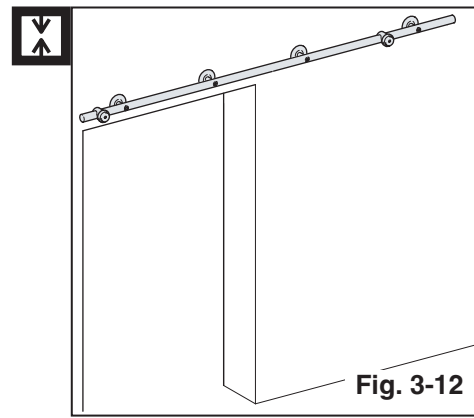


Fig. 3-12

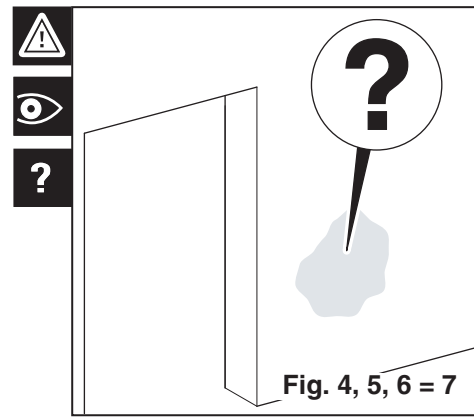


Fig. 4, 5, 6 = 7

Fig. 3

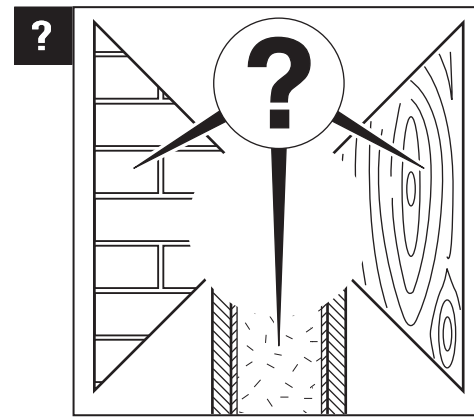


Fig. 4

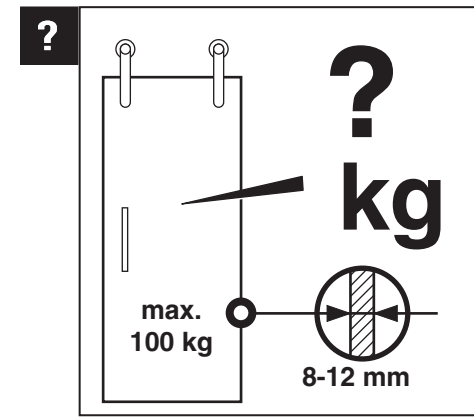


Fig. 5

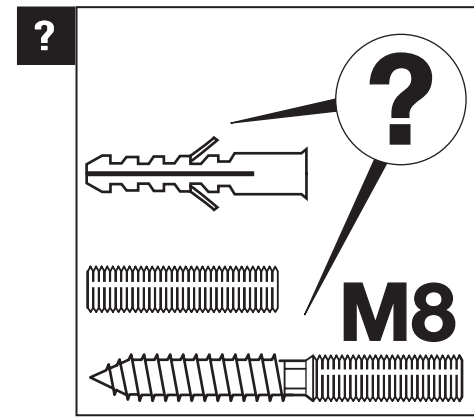


Fig. 6

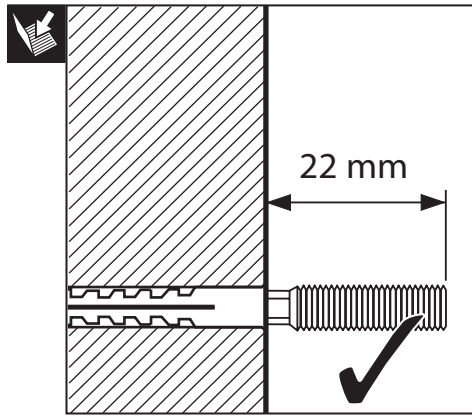


Fig. 7

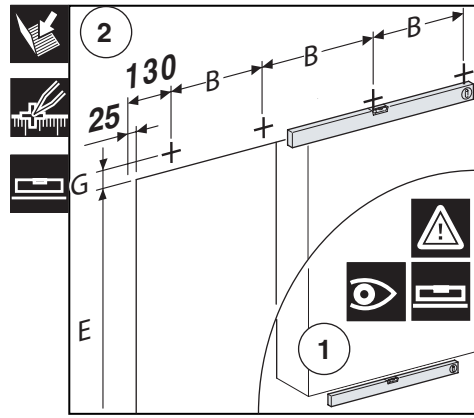


Fig. 8

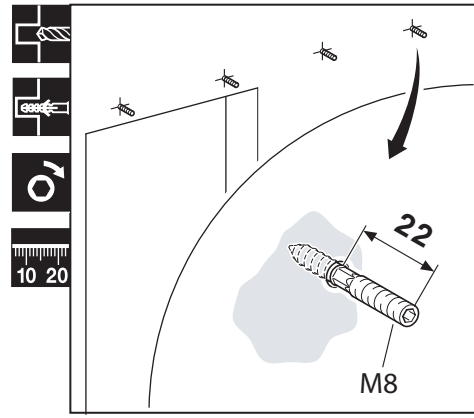


Fig. 9

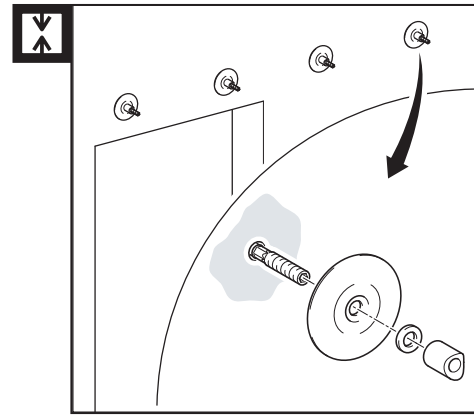


Fig. 10

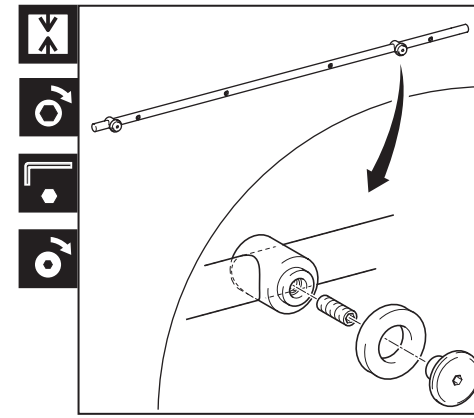


Fig. 11

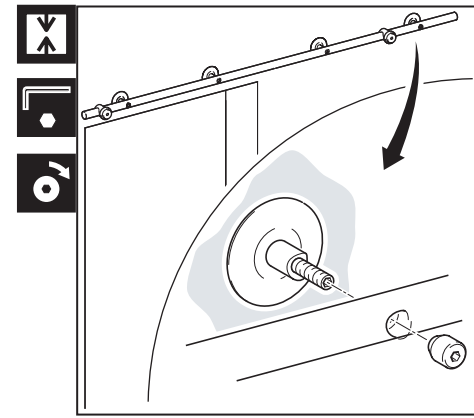


Fig. 12

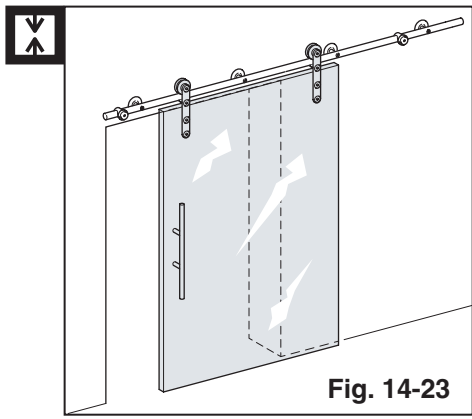


Fig. 14-23

Fig. 13

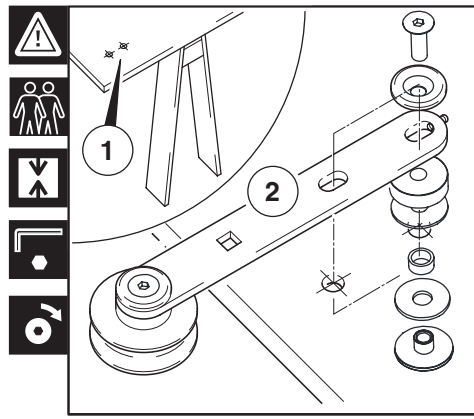


Fig. 14

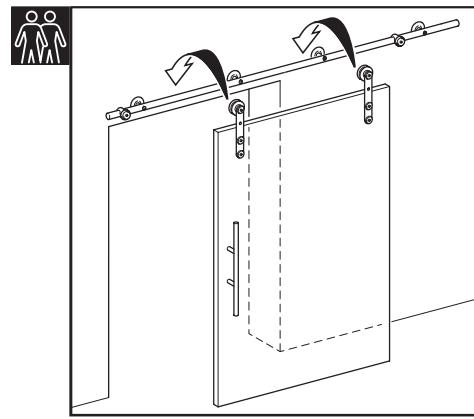


Fig. 15

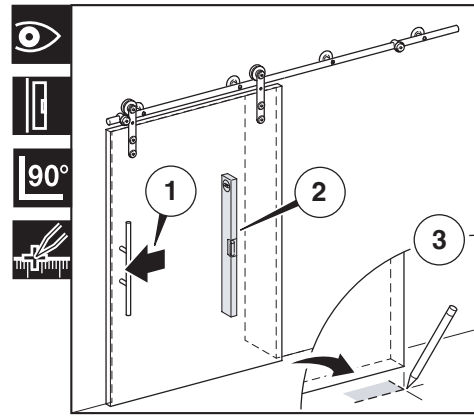


Fig. 16

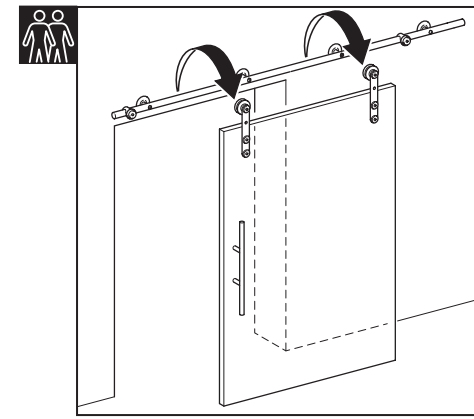


Fig. 17

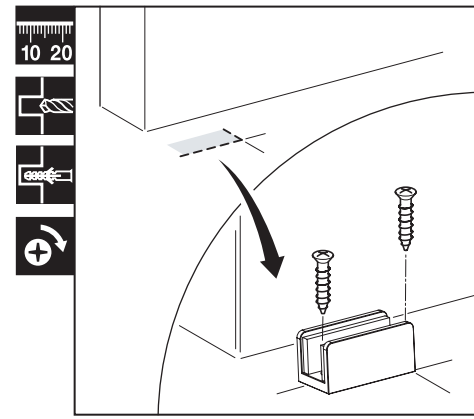


Fig. 18

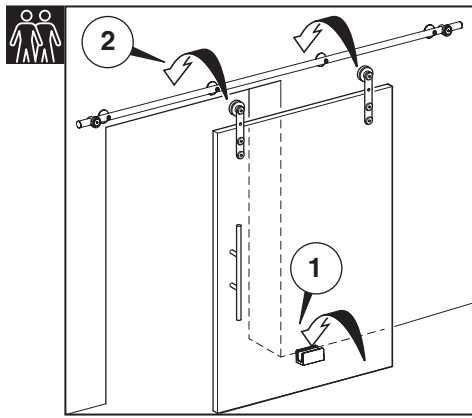


Fig. 19

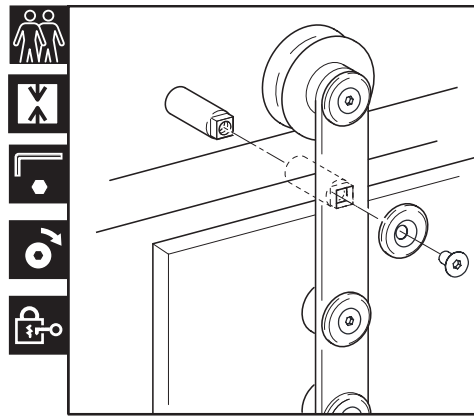


Fig. 20

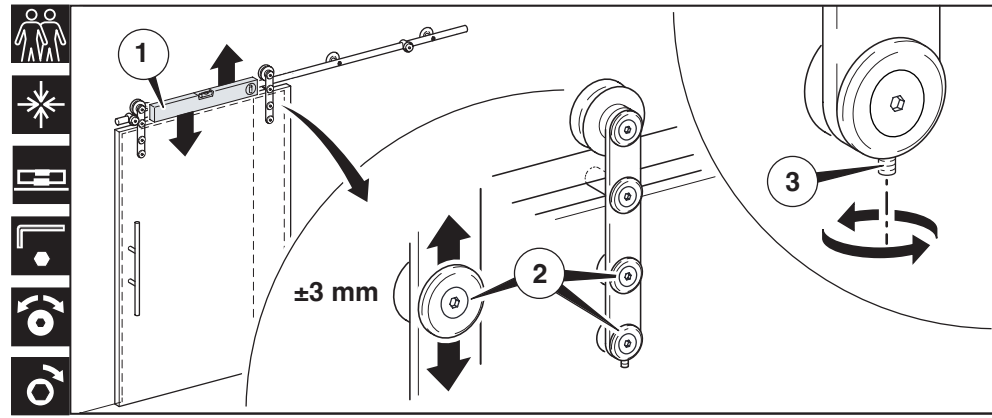


Fig. 21

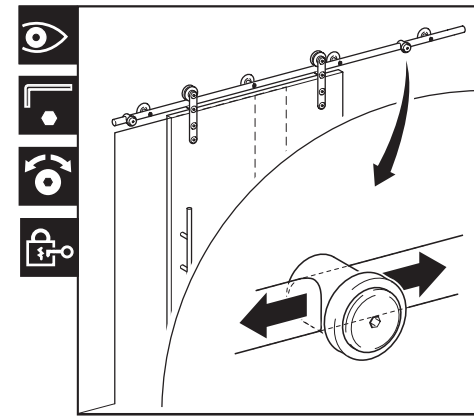


Fig. 22

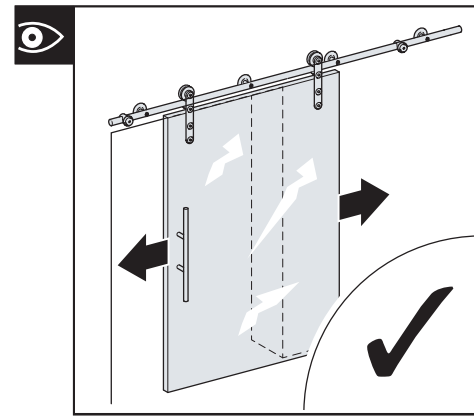


Fig. 23